

DishaaTM

HYDRAULIC HOLE PUNCHING PRESS
& ELECTRIC MOTOR HYDRAULIC PUMP

CONTACT US

P.O. BOX: 80899, Dubai, UAE

Mob: +971 50 9696 477

Email: sajith@dishaagroup.com

Website: www.dishaagroup.com



CH-60 CH-70

Item Name	Hydraulic hole punching
CH-60 (M3007)	10mm thickness for soft copper, 95mm throat
CH-70 (M3008)	12mm thickness for soft copper, 110mm throat
Standard hole sizes	∅ 10, 5mm, 13, 8mm, 17mm, 20, 5mm
Other accept hole sizes	∅ 6mm, 7mm, 8mm, 12mm, 14mm, 17mm, 21mm
Spare sealing kit	one set
Standard package	wooden case



Item Name	Hydraulic hole punching
CH-60 (M3107)	10mm thickness for soft copper, 95mm throat
CH-70 (M3108)	12mm thickness for soft copper, 110mm throat
Standard hole sizes	∅ 10, 5mm, 13, 8mm, 17mm, 20, 5mm
Other accept hole sizes	∅ 6mm, 7mm, 8mm, 12mm, 14mm, 17mm, 25mm
Spare sealing kit	one set
Standard package	wooden case

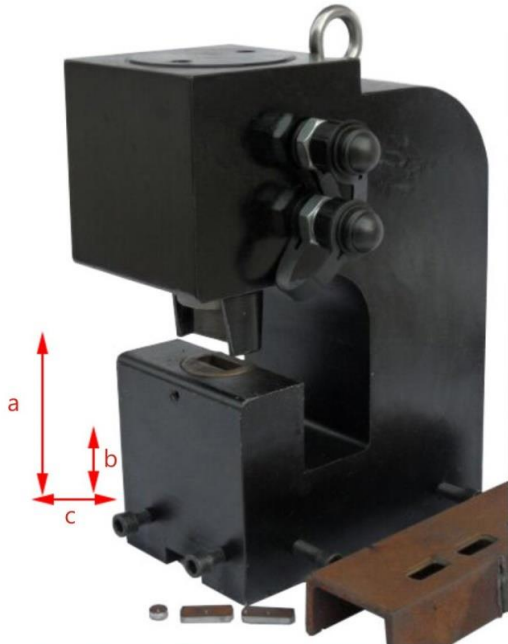


Item Name	Hydraulic hole puncher
CH-60Q (M3107-1)	#3-#8 angle steel, 95mm of throat
CH-70Q (M3108-1)	#3-#10 angle steel, 110mm throat
Standard hole sizes	∅ 6mm, 8mm, 10mm, 14mm
Other accept hole sizes	∅ 5mm, 7mm, 9mm, 12mm, 16mm, 18mm,
Spare sealing kit	one set
Standard package	wooden case



M3109

- Electrical-hydraulic pump operated hydraulic hole puncher
- 700bar, 10000psi, quick speed
- 7000cc oil capacity
- AC power 110V/220V/380V, 50Hz/60Hz for choice
- Easy to punch Round, Oblong, Square holes



Item Number	MCH-80A (M3013) Standard
Working capacity	16mm thickness
Standard working force	50Ton
Standard hole sizes	∅ 16mm, ∅ 18mm, ∅ 22mm, ∅ 25mm (Other sizes for choice)
Other hole sizes accept	∅ 6mm, ∅ 7mm, ∅ 8mm, ∅ 12mm, ∅ 14mm, ∅ 18mm...
Pump operated	Double action electric-hydraulic pump
Standard package	Ply-wooden case



Item Number	MCH-100 (M3015) Standard
Standard working force	100 Ton
Max punching thickness	22mm copper, 20mm steel
Hole sizes accept	Round, oval, square
Standard hole sizes	∅ 22mm, 25mm, 28mm, 32mm (Other sizes for choice)
Depth of the throat	125mm (can be customized)
Working style	Double action
Package	Ply-wooden case
Weight	Around at 126kg

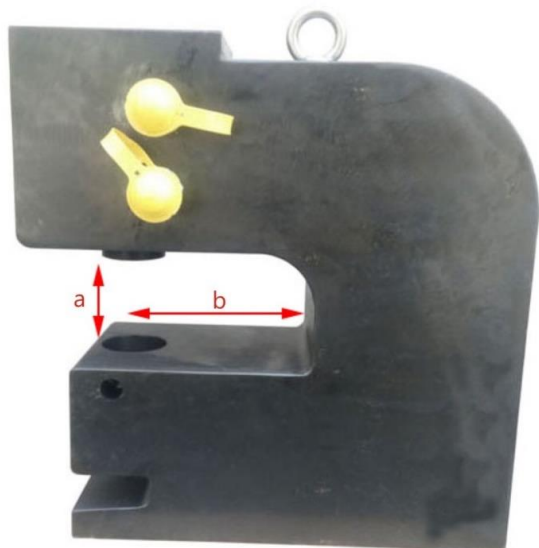


Item Number	MCH-100A (M3016)
Standard working force	100 Ton
Max punching thickness	22mm copper, 20mm steel
Hole sizes accept	Round, oval, square
Standard hole sizes	∅ 22mm, 25mm, 28mm, 32mm (can be customized)
Depth of the throat	125mm (can be customized)
Working style	Double action
Package	Ply-wooden case
Weight	Around at 112kg

★ Red-light pointer system for hole center (for choice).



Item Number	MCH-150 (M3017) Standard
Standard working force	150 Ton
Max punching thickness	25mm copper, 24mm steel
Hole sizes accept	Round, oval, square
Standard hole sizes	∅ 22mm, 25mm, 28mm, 32mm (Other sizes for choice)
Depth of the throat	135mm (can be customized)
Working style	Double action
Package	Ply-wooden case
Weight	Around at 222kg



Item Number	MCH-200A (M3018) Standard
Standard working force	200 Ton
Max punching thickness	30mm copper, 30mm steel
Hole sizes accept	Round, oval, square
Standard hole sizes	∅ 22mm, 25mm, 28mm, 32mm (Other sizes for choice)
Depth of the throat	150-160mm (can be customized)
Working style	Double action
Package	Ply-wooden case
Weight	Around at 360kg



Item Number	MCH-90 (M3019) Standard
Working force	Can be customized for 30ton, 50ton, 100ton
Working width A	Can be customized, max up to 550mm
Working height B	Can be customized, max up to 60mm
Available hole sizes	∅ 6mm - 35mm (sizes for choice)
Available hole shape	Round, square, rectangular, oval
Working style	Hydraulic pump operated
Package	Ply-wooden pallet
For more information	Contact us for an inquiry



Item Number	M4101
Standard oil capacity	7000 cc
Standard pressure	700 bar, 10000 psi
Pumping data	7Mpa/70Mpa, 900cc/min-5000cc/min
Pumping style	Single action with one hose
Oil hose	1.6M
AC power	110V/220V/380V, 50Hz/60Hz for choice
Power	0.75KW, 1.5KW
Package	Wooden case



Item Number	M4102
Standard oil capacity	20000 cc
Standard pressure	700 bar, 10000 psi
Pumping data	7Mpa/70Mpa, 900cc/min-5000cc/min
Pumping style	Single action with one hose
Oil hose	1.6M
AC power	110V/220V/380V, 50Hz/60Hz for choice
Power	0.75KW, 1.5KW, 3.0KW
Package	Wooden case



Item Number	M4103
Standard oil capacity	7000 cc-40000cc
Standard pressure	700 bar, 10000 psi
Pumping data	7Mpa/70Mpa, 900cc/min-5000cc/min
Pumping style	Double action / Single action with 2 hose
Oil hose	1.6M
AC power	110V/220V/380V, 50Hz/60Hz for choice
Power	0.75KW, 1.5KW, 3.0KW, 4.0KW
Package	Wooden case



Item Number	M4104
Standard oil capacity	20L-40L (60L can be customized)
Standard pressure	700 bar, 10000 psi
Pumping data	10Mpa/70Mpa, 1700cc/min-7900cc/min
Standard pumping style	Double action with two hose (can be customized)
Oil hose	1.6M
AC power	110V/220V/380V, 50Hz/60Hz for choice
Power	1.5KW, 3.0KW, 4.0KW, 5.0KW
Package	Wooden case



Item Number	M4106
Standard oil capacity	7000 cc
Standard pressure	700 bar, 10000 psi
Pumping data	7Mpa/70Mpa, 900cc/min-5000cc/min
Pumping style	Single action with three hoses
Oil hose	1.6M
AC power	110V/220V/380V, 50Hz/60Hz for choice
Power	0.75KW, 1.5KW, 3.0KW
Package	Wooden case



Item Number	GYB-700A (DBD750) (M4112)
Standard oil capacity	7000 cc
Standard pressure	700 bar, 10000 psi
Pumping speed	600cc/min, 4000cc/min
Standard coupler	3/8 PT
Oil hose	1.6M
AC power	110V-120V/220V-240V/380V, 50Hz/60Hz for choice
Power	0.75KW, 1.5KW
Switch control way	Hand control switch / Foot control switch
Package	Wooden case



Item Number	M4107
Standard oil capacity	3000 cc
Standard pressure	700 bar, 10000 psi
Pumping data	7Mpa/70Mpa, 600cc/min-3520cc/min
Pumping style	Single action with one hose
Oil hose	1.8M
AC power	110V/220V/380V, 50Hz/60Hz for choice
Power	0.75KW, 1.5KW for option
Package	Wooden case



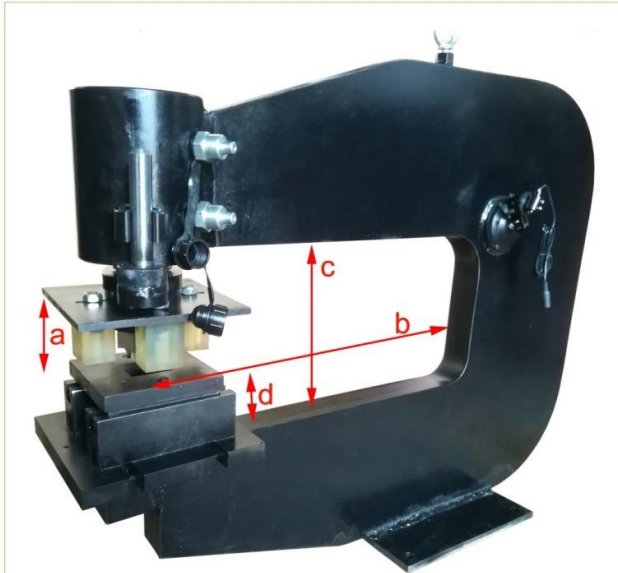
Item Number	M4108
Standard oil capacity	3000 cc
Standard pressure	700 bar, 10000 psi
Pumping data	7Mpa/70Mpa, 600cc/min-3520cc/min
Pumping style	Double action with two hose
Oil hose	1.8M
AC power	110V/220V/380V, 50Hz/60Hz for choice
Power	0.75KW, 1.5KW
Package	Wooden case



Item Number	M4110
Standard oil capacity	2000 cc
Standard pressure	700 bar, 10000 psi
Pumping speed	600cc/min, 4000cc/min
Standard coupler	3/8 PT
Oil hose	1.5M
AC power	110V-120V/220V-240V/380V, 50Hz/60Hz for choice
Power	0.75KW, 1.5KW
Switch control way	Hand control switch / Foot control switch
Package	Wooden case



Item Number	GYB-630B (M4111)
Standard oil capacity	7000 cc
Standard pressure	700 bar, 10000 psi
Pumping speed	800cc/min, 5000cc/min
Standard coupler	3/8 PT
Oil hose	1.2M
AC power	110V-130V/220V-240V/380V, 50Hz/60Hz for choice
Power	0.75KW, 1.5KW
Package	Wooden case



M3025

Quick speed hydraulic hole punching.
Quick work in round, square, rectangular or specially holes.
Without pre-drilling hole.

Suitable for steel, stainless, copper, aluminum, plastic...

Round hole works: \varnothing 9mm to \varnothing 55mm.
Square hole works: max up to 38mm*38mm.

Mild steel max up to 3.0mm of thickness.
Max up to 550mm of working width.
Max up to 350mm of working height.

★ Red-light pointer system for hole center(optional).

Length adjustable fence, and depth adjustable fence.
Movable stand base.
Double working hydraulic system.

AC 110-130V, 220V-240V, 380V electric hydraulic pump power pack for choice.
0.75kw, 1.5kw for choice.

Foot pedal with remote cable control switch.
Sizes a, b, c, d can be customized.



M3028



Item	Hole punch die set
Round hole	\varnothing 4.5mm, 5mm, 5.5mm, 6mm, 6.5mm, 7mm 7.5mm, 8mm, 8.5mm, 9mm, 9.5mm, 10mm, 10.5mm, 11mm, ..., 22mm, 22.5mm, ...
Square, Oblong hole	6mm*16mm, 6mm*20mm, 10mm*20mm ... Other sizes



M3200



punching cylinder

draw stud (guide shaft)

spacer

nut

round punch set

Item	Hole working parts
A group	∅ 16mm, 20mm, 26.2mm, 32.6mm, 39mm, 51mm
B group	∅ 22mm, 27.5mm, 34mm, 43mm, 49mm, 60mm
C group	∅ 63mm, 76mm, 80mm, 89mm, 100mm, 114mm
Other sizes	According need
Hole punching range	3.0mm thickness mild steel, 1.4mm thickness stainless steel
Working type	Hydraulic
Material of punches	40Cr
Thread type	Inch/metric for choice
Punching cylinder	10ton, 15ton, 30ton, 50ton, 100ton for choice Guide shaft, spacer, nut according need.



Item	Hydraulic punch cylinder
Working capacity	30 ton, 50 ton, Can be customized.
Working range	Steel, stainless, copper, aluminum and other metal
Working type	Hydraulic type
Hole sizes	Round, Square, Rectangular, can be customized.
Matching pump	Hydraulic hand pump, foot pump, electric-motor hydraulic pump



Item	Round and Square hole punches set
Group A	∅ 16mm, 20mm, 26mm, 32.5mm, 39mm, 51mm
Group B	∅ 22mm, 27.5mm, 34mm, 43mm, 49mm, 60mm
Group C	∅ 63mm, 76mm, 80mm, 89mm, 100mm, 114mm
Other round sizes	∅ 18mm, 25mm,....., 102mm,...., Can be customized.
Group F	32mm*32mm, 46.5mm*46.5mm, 76.5mm*76.5mm, 80.5mm*80.5mm, 90.5mm*90.5mm, 113mm*113mm, 151mm*151mm
Group R	28mm*48mm, 45mm*92mm, 50mm*71mm, ...
Other square sizes	Make according need
Working range	Max up to 3.5mm thickness of mild steel
Working material	Steel, stainless, copper, aluminum and other metal
Working type	Hydraulic type



Item	Manual hole punch set
Sizes	∅ 19mm, 20mm, 22mm, 25mm, 29mm, 32mm, 35mm, ∅ 38mm, 40mm, ...
Other sizes	Customized
Working range	1.2mm thickness of mild steel

